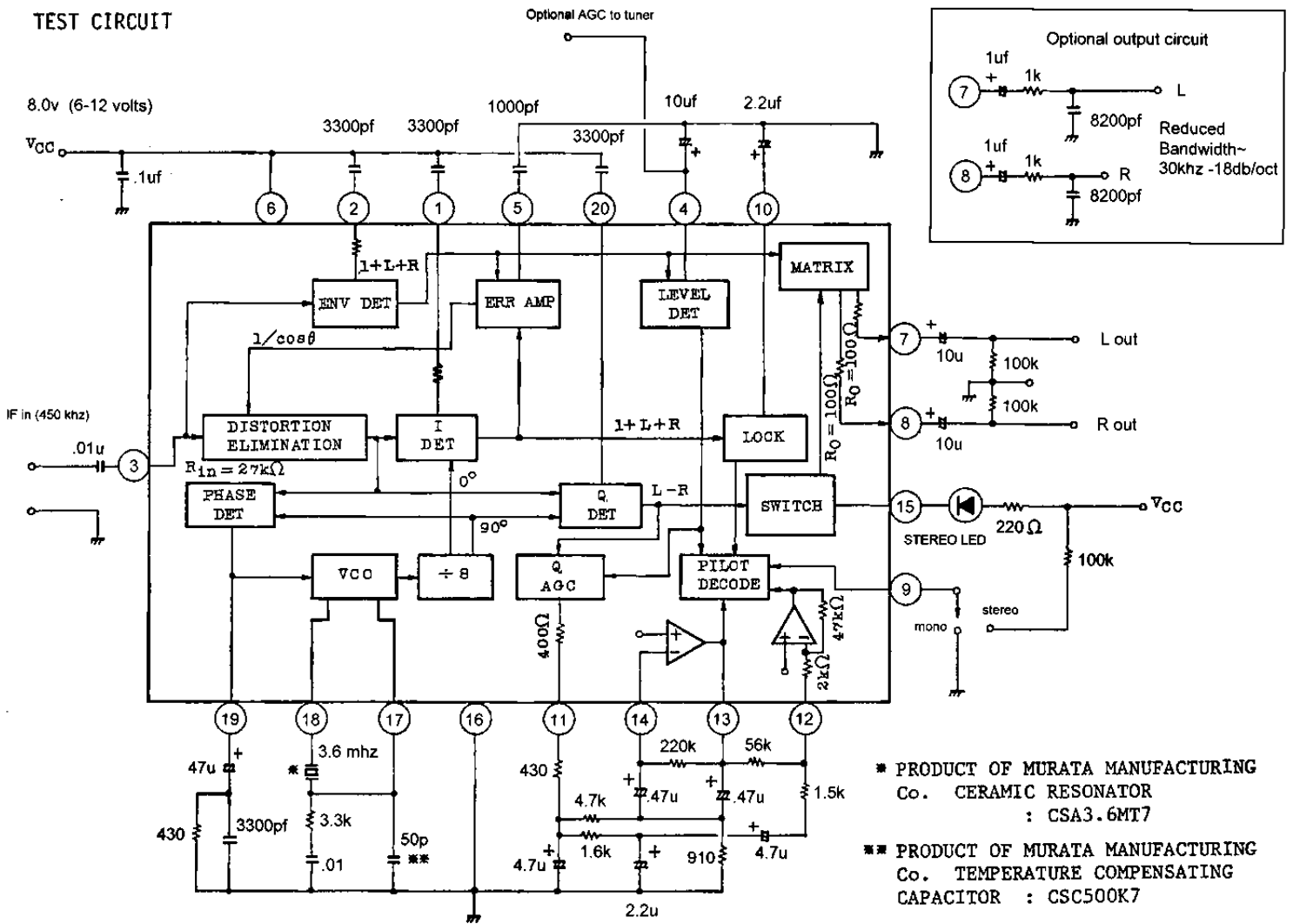


**TEST CIRCUIT**



- \* PRODUCT OF MURATA MANUFACTURING Co. CERAMIC RESONATOR : CSA3.6MT7
- \*\* PRODUCT OF MURATA MANUFACTURING Co. TEMPERATURE COMPENSATING CAPACITOR : CSC500K7

### Capacitors \_\_\_\_\_:

- 50p NPO
- 1000pf
- 3300pf(4)
- .01 (2)
- .1 uf, bypass (across chip underside board, pin 6 to pin 16)
- .47uf, tantalum (2)
- 2.2uf, tantalum
- 2.2uf-47uf, tantalum
- 4.7uf, tantalum (2)
- 10uf, electrolytic (3)
- 47uf, electrolytic

### Resistors \_\_\_\_\_:

- 220 ohm (LED)
- 430 ohm (2)
- 910 ohm
- 1.5k
- 1.6k
- 3.3k
- 4.7k
- 56k
- 100k (3)
- 220k

### Misc \_\_\_\_\_:

- 3.6 mhz ceramic resonator
- LED, stereo indicator
- Switch, SPDT, stereo/mono